

Pump Controller with Dual seal-Leak Inputs

Model PC-102CICI-DL

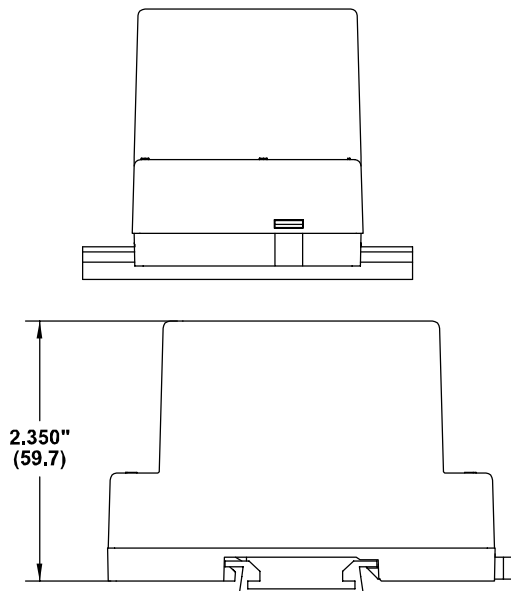
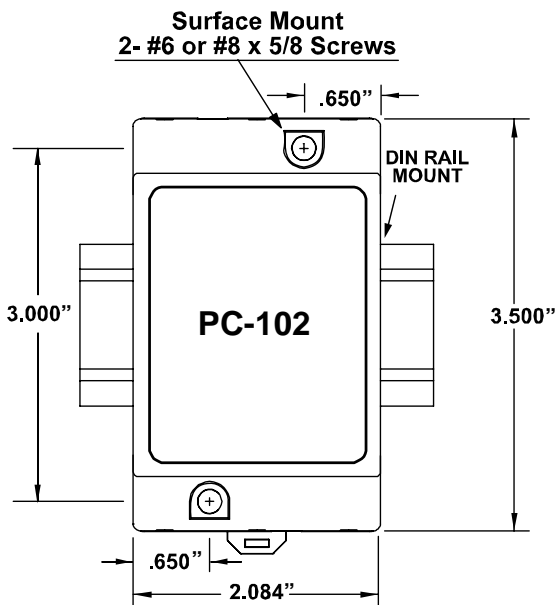


SymCom's PC-102CICI-DL is a Dual seal-Leak detector.

The inputs are used to sense seal failures on pumps. When water is detected, the associated output relay is energized.

The input logic may be selected to be direct or inverted using DIP switches on the side of the device.

It has two isolated form-C output relays and two red LEDs which illuminate when the associated output relay is energized.



Specifications

Functional Specifications:	
Adjustments/Settings	
Sensitivity (for resistive probes)	4.7k-100k Ω
Input Logic	Direct or inverted
Debounce Time Delay	0.5 or 2 seconds
Input Characteristics:	
Supply Voltage:	120VAC nominal
Frequency:	50/60 Hz
Output Characteristics:	
Relay Output Rating: 2 Form C (isolated)	5Amps @ 240VAC General Purpose Pilot Duty 180VA @ 120VAC, C150
Depluggable Connector (included)	Phoenix Contact - Series MSTB plugs (or equivalent)
LEDs (red)	Output Relay Status Indicators
General Characteristics:	
Operating Temperature:	-20 to 55° C
Terminals:	
Wire Size	12-20 AWG
Torque	6 in.-lbs. (max.)
Standards Passed:	
Electrostatic Discharge (ESD)	IEC 61000-4-2, Level 3, 6 kV contact, 8 kV air
Radio Frequency Immunity (RFI)	IEC 61000-4-2, Level 3, 10V/m
Fast Transients	IEC 61000-4-4, Level 3, 4 kV power terminals, 2kV input/output terminals
Safety Marks:	
UL	UL508 (File #E68520)
cUL	C22.2 No. 14
Dimensions:	(LxWxD) 3.5" x 2.1" x 3.2" (D w/out connector - 2.4")
Weight:	9 oz.
Mounting Methods:	35 mm DIN rail or Surface Mount (#6 or #8 screws)

How to order:

Part Number: PC-102CICI-DL



www.SymCom.com
... your electronic control & protection specialists

orders@symcom.com / customerservice@symcom.com
(605) 348.5580 / (800) 843.8848 / Fax (605) 348.5685